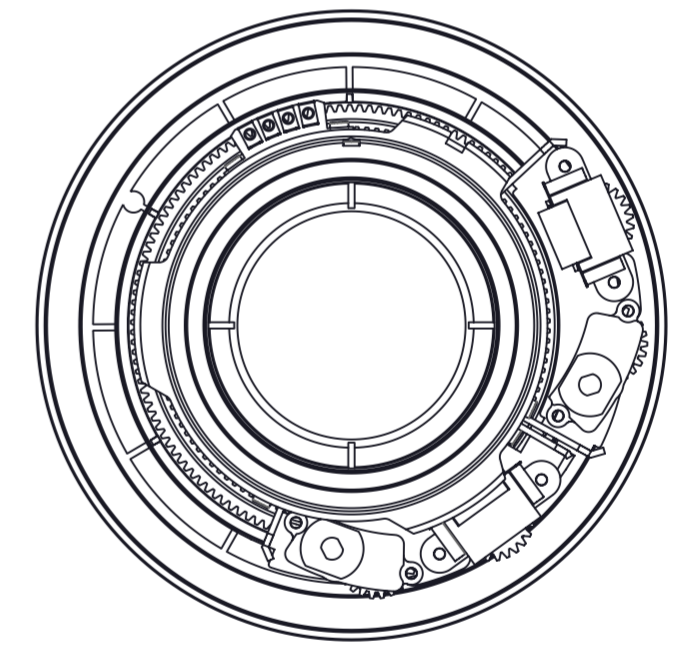
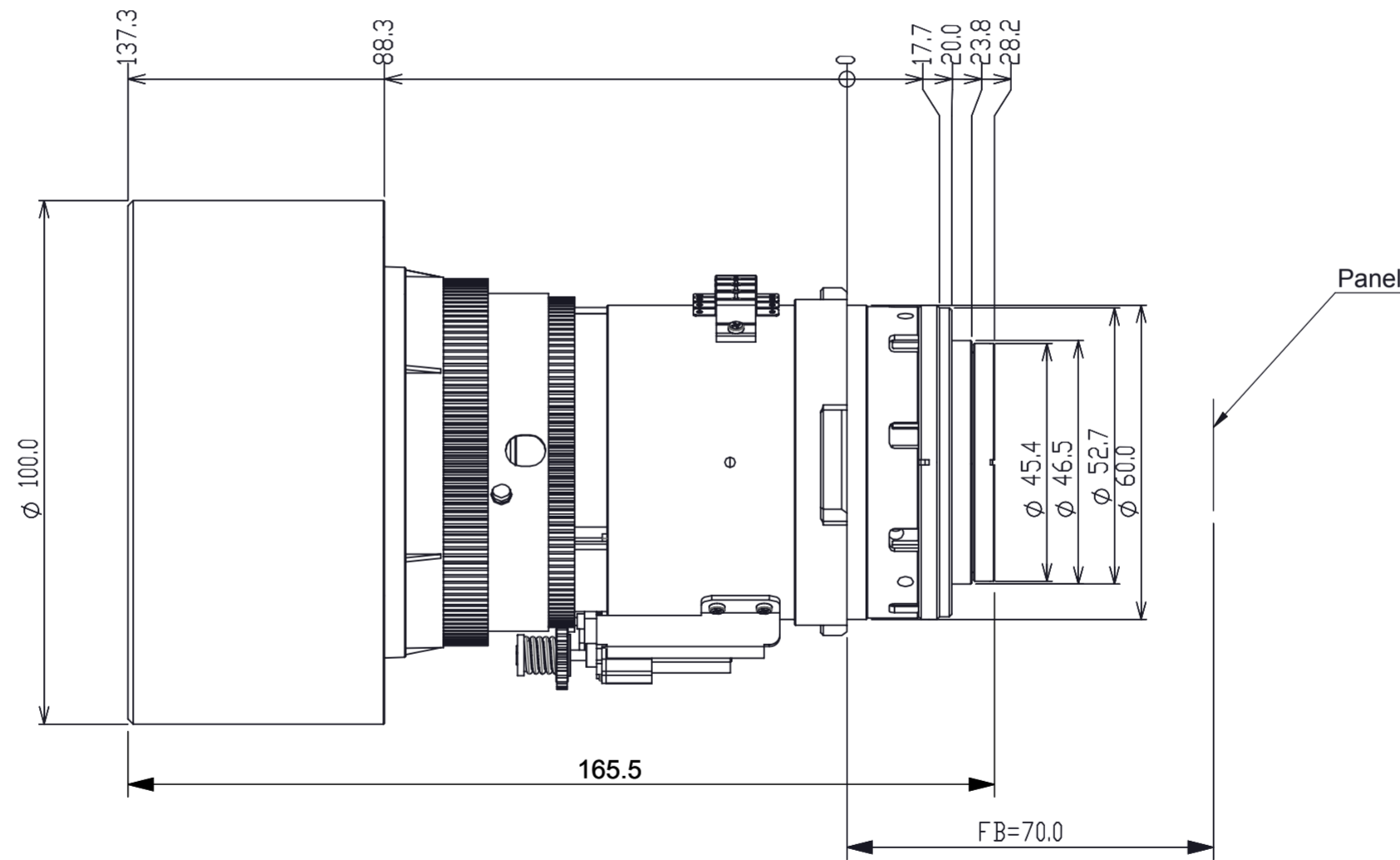
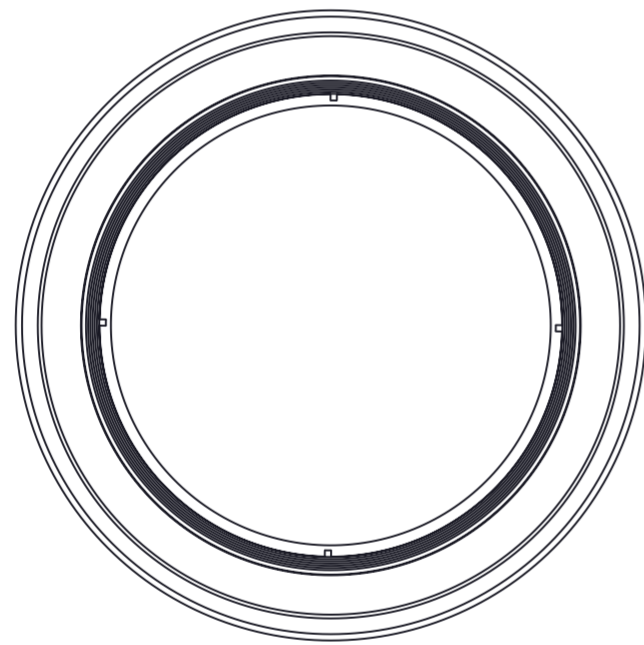
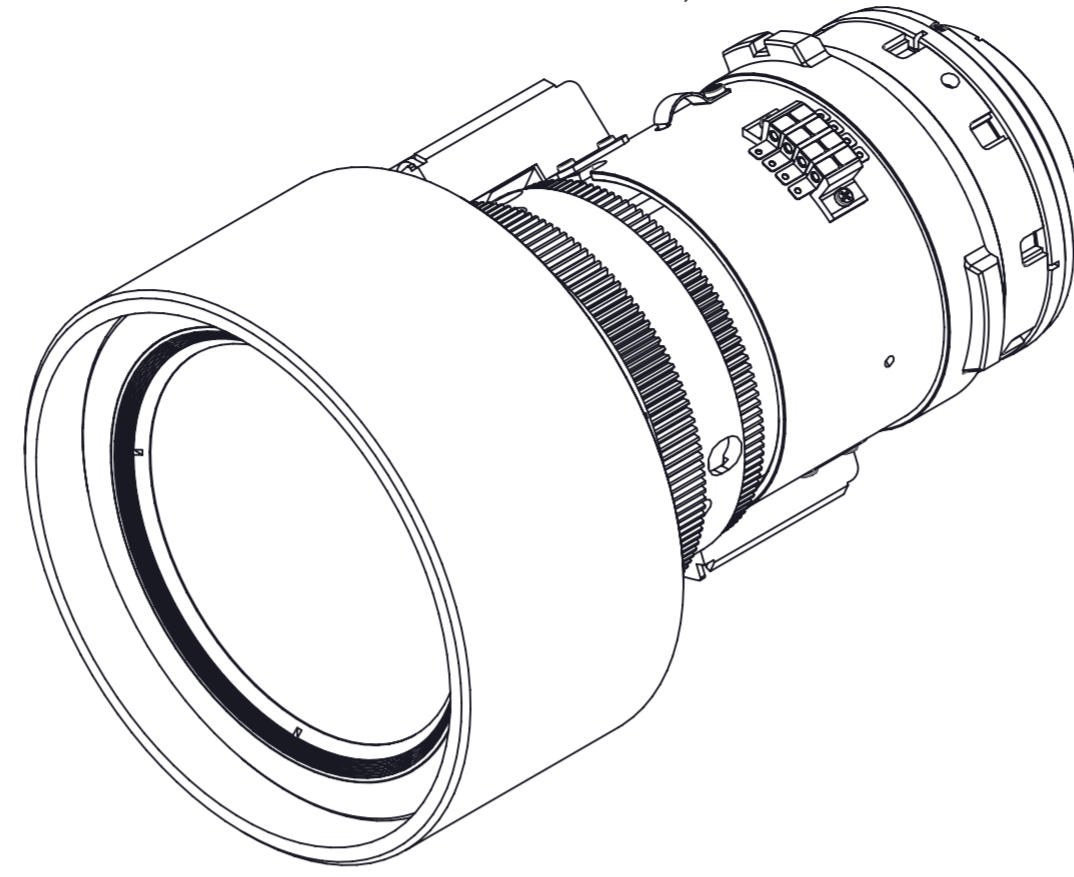


IF IN DOUBT, ASK.



THROW RATIO	
WUXGA	UHD 4K
1.25-1.79:1	1.24-1.78:1

PRE REVS	ITEM	DESCRIPTION	REFER TO	No OFF	REMARKS
	7				
	6				
	5				
	4				
	3				
	2				
	1				

MATERIAL	
CODE	
FINISH	

CAD GENERATED DRAWING DO NOT MAKE MANUAL CHANGES
LAST CHANGE
DATE OF ISSUE 1-3-19

TOLERANCES UNLESS OTHERWISE STATED	Unless Otherwise Stated	DIMENSIONS IN MILLIMETRES
METRIC: 1.00 = ±0.01 1.00 = ±0.1 1.0 = ±0.2 1 = ±0.4	REMOVE ALL BURRS & SHARP EDGES. DO NOT SCALE DRAWING THE SURFACE TEXTURE ROUGHNESS NUMBER OF MACHINED SURFACES SHOULD BE EQUAL TO OR LESS THAN 0.8um (N6 CLA32)	FIRST USED ON
IMPERIAL: Fractional ±1/64" Decimal ± 0.005"	REV. A	ORIGINAL SCALE 1:1.2
ANGLES ± 0° 30'	NOTE	DRAWN jcharnley
	DRAWN jcharnley	APP.ENG.
	APP.DO.	DATE 23-11-17
	DATE 30-11-17	

DIGITAL PROJECTION		MIDDLETON M24 1XX
TITLE	COMPONENT OR DRG.No.	
LENS, H6 WIDE ZM, F1.85-2.5	112-500	
A2-SHEET	1 OF 1	